



## C tools / C Werkzeuge



*C and C-IO tools / C und C-IO Werkzeuge 8"/ 12"*

*on stock / inexpensive / durable / broad diameter range*  
ab Lager / preiswert / langlebig / grosser Durchmesserbereich

**IT'S ALL  
WE THINK  
ABOUT.** TUBE END FORMING

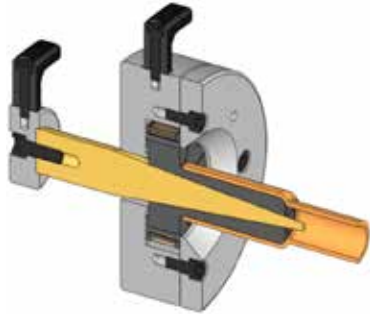




# C tools / C Werkzeuge

8" Eagle compatible / 8" Eagle kompatibel

## Expanding-tool / Aufweitwerkzeug



### Cone / Konus

coated / beschichtet

EUR 480.00



uncoated / unbeschichtet

EUR 310.00



### Housing / Gehäuse

Ø21.7 mm – Ø55.5 mm  
Ø59.0 mm – Ø84.4 mm

EUR 350.00  
EUR 420.00



	Tool Ø Werkzeug-Ø (mm)	Inside tube Ø min. Rohr innen Ø min. (mm)	Open Offen (mm)	Expanding length Aufweitlänge (mm)
6-fold	21.7	21.9	33.2	40.0
	24.8	25.0	36.3	40.0
	26.3	26.5	37.8	55.0
	28.3	28.5	39.8	55.0
	31.3	31.5	42.8	70.0
8-fold	33.5	33.5	45.5	70.0
	35.5	35.5	47.5	82.5
	37.0	37.0	49.0	82.5
	40.0	40.0	52.0	82.5
	43.5	43.5	55.5	82.5
	45.5	45.5	57.5	82.5
	46.5	46.5	58.5	82.5
	49.5	49.5	61.5	82.5
	50.5	50.5	62.5	82.5
	52.5	53.0	64.5	82.5
	55.5	56.0	67.5	82.5
	59.0	59.5	71.0	82.5
	60.5	61.0	72.5	82.5
	62.3	62.8	75.3	82.5
65.5	66.0	77.5	82.5	
71.6	72.6	83.6	82.5	
75.5	76.5	87.5	82.5	
84.4	85.4	96.4	82.5	

### Expanding fingers 6-fold / Aufweifinger 6-fach

Ø21.7 mm – Ø31.5 mm

EUR 420.00



### Expanding fingers 8-fold / Aufweifinger 8-fach

Ø33.5 mm – Ø84.4 mm

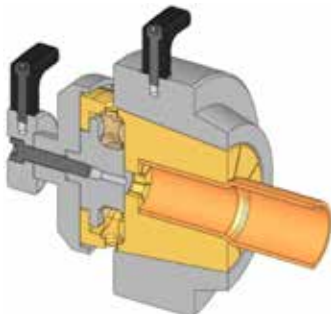
EUR 470.00

### Position finger / Anschlagfinger:

EUR 470.00



## Reducing-tool / Reduzierwerkzeug



### Cone ring / Konusring:

EUR 330.00



### Reducing jaws set / Reduzierbacken-Satz

EUR 900.00



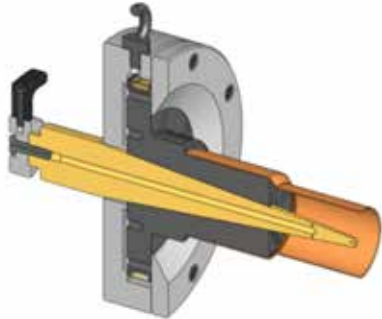
	Tool Ø Werkzeug-Ø (mm)	Outside tube Ø max. Rohr aussen Ø max. (mm)	Closed Ø Geschlossen Ø (mm)	Reducing length Reduzierlänge (mm)
Cone ring / Konusring:	25.4	29.4	22.3	74.0
	28.5	32.5	25.4	
	30.0	34.0	26.9	74.0
	32.0	36.0	28.9	74.0
	35.0	39.0	31.9	74.0
	38.0	42.0	34.9	74.0
	40.0	44.0	36.9	74.0
	41.5	45.5	38.4	74.0
	44.5	48.5	41.4	74.0
	48.0	52.0	44.9	74.0
	50.0	54.0	46.9	74.0
	51.0	55.0	47.9	74.0
	54.0	58.0	50.9	74.0
	55.0	59.0	51.9	74.0
	57.0	60.5	53.9	74.0
	60.0	63.5	56.9	74.0
	63.5	67.0	60.4	74.0
	65.0	68.5	61.9	74.0
	66.8	70.3	63.7	74.0
70.0	73.5	66.9	74.0	



# C tools / C Werkzeuge

12" Eagle compatible / 12" Eagle kompatibel

## Expanding-tool / Aufweitwerkzeug



Cone / Konus  
coated / beschichtet

EUR 1'200.00



Nominal tube  
Rohr nominal

(mm)

70 mm x 1.5  
75 mm x 1.5  
76.1 mm x 1.5  
80 mm x 1.5  
85 mm x 1.5  
88.9 mm x 1.5  
100 mm x 2  
101.6 mm x 2  
108 mm x 2  
110 mm x 2  
114.3 mm x 2  
120 mm x 2  
127 mm x 2  
139.7 mm x 2  
146 mm x 2  
150 mm x 2  
152.4 mm x 2  
160 mm x 2  
165 mm x 2

Tool-Ø closed  
Werkzeug-Ø  
geschlossen

(mm)

64  
69  
70  
74  
79  
82  
92  
93  
100  
102  
106  
112  
119  
131  
138  
142  
144  
152  
157

Tool-Ø open  
(Stroke 80 mm)

Werkzeug-Ø offen  
(80 mm Hub)

(mm)  
78  
83  
84  
88  
93  
96  
106  
107  
114  
116  
120  
126  
133  
145  
152  
156  
158  
166  
171

Tool-Ø open  
(Stroke 150 mm)

Werkzeug-Ø offen  
(150 mm Hub)

(mm)  
90  
95  
96  
100  
105  
108  
118  
119  
126  
128  
132  
138  
145  
157  
164  
168  
170  
178  
183

Housing / Gehäuse  
Ø70 mm - 165 mm

EUR 850.00



Expanding fingers 8-fold / Aufweitfinger 8-fach

Ø70 mm - 165 mm

1'600.00

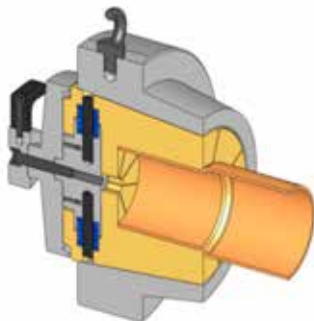


Position finger/ Anschlagfinger::

EUR 470.00



## Reducing-tool / Reduzierwerkzeug



Cone ring / Konusring:

EUR 1'200.00



Nominal tube  
Rohr nominal

(mm)

70 mm x 1.5  
75 mm x 1.5  
76.1 mm x 1.5  
80 mm x 1.5  
85 mm x 1.5  
88.9 mm x 1.5  
100 mm x 2  
101.6 mm x 2  
108 mm x 2  
110 mm x 2  
114.3 mm x 2  
120 mm x 2  
127 mm x 2  
139.7 mm x 2  
146 mm x 2  
150 mm x 2  
152.4 mm x 2  
160 mm x 2  
165 mm x 2

Tool-Ø closed  
Werkzeug-Ø  
geschlossen

(mm)

64  
69  
70  
74  
79  
82  
92  
93  
100  
102  
106  
112  
119  
131  
138  
142  
144  
152  
157

Tool-Ø open  
(Stroke 80 mm)

Werkzeug-Ø offen  
(80 mm Hub)

(mm)  
79  
84  
85  
89  
94  
97  
107  
108  
112  
117  
121  
127  
134  
146  
153  
157  
159  
167  
172

Tool-Ø open  
(Stroke 150 mm)

Werkzeug-Ø offen  
(150 mm Hub)

(mm)  
79  
84  
85  
89  
94  
97  
107  
108  
112  
117  
121  
127  
134  
146  
153  
157  
159  
167  
172

Reducing jaws set /  
Reduzierbacken-Satz

EUR 2'500.00

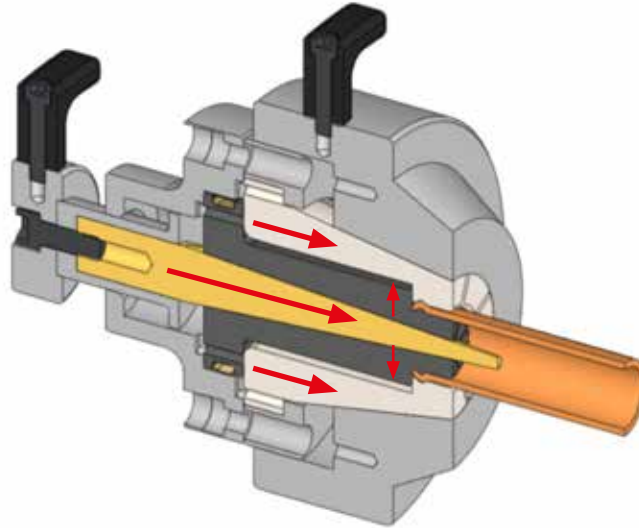




# C tools / C Werkzeuge

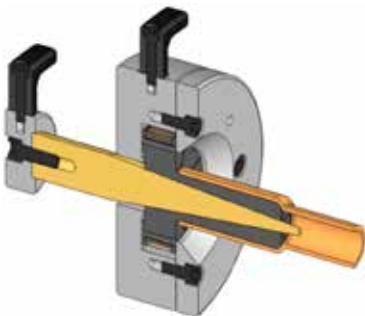
Eagle compatible / Eagle kompatibel

C-IO tool / C-IO Werkzeug

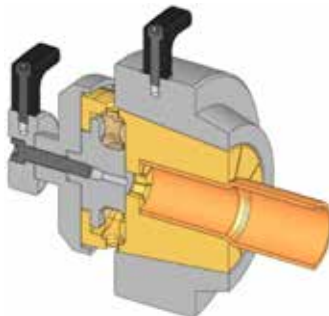


C-tools / C-Werkzeuge

Expanding / Aufweiten



Reducing / Reduzieren



C-IO

