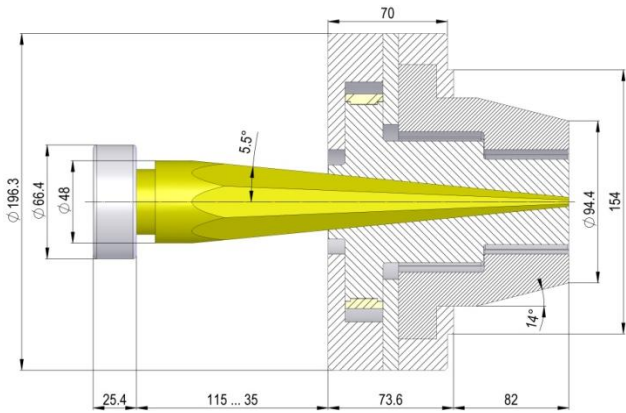




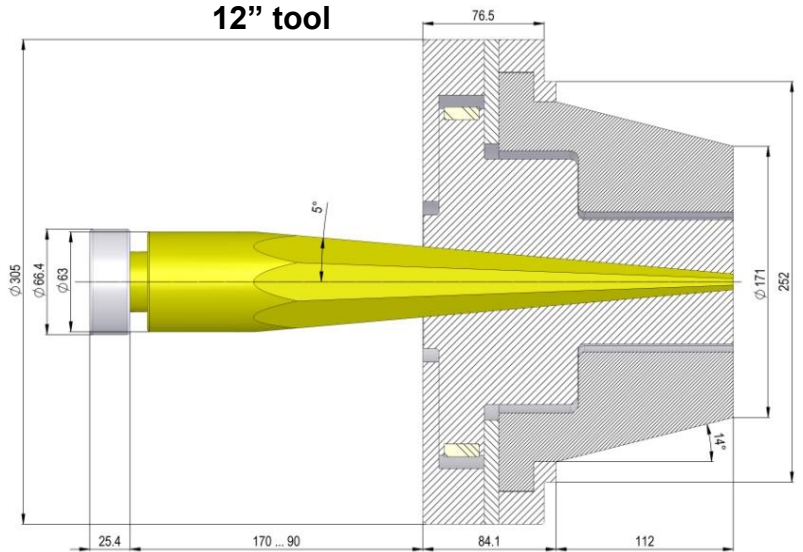
Inquiry form: IO-forming tool

Dimensions of the IO-tools

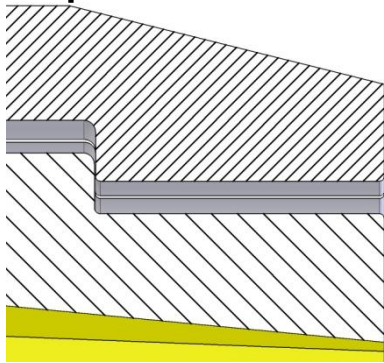
8" tool



12" tool



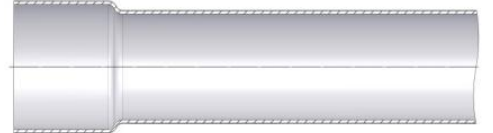
Shape A



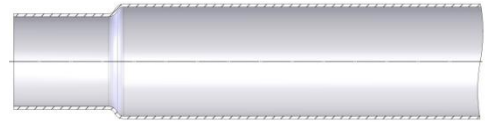
sizing



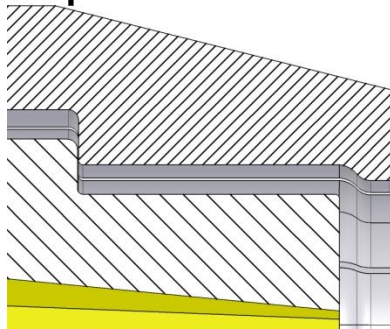
up sizing



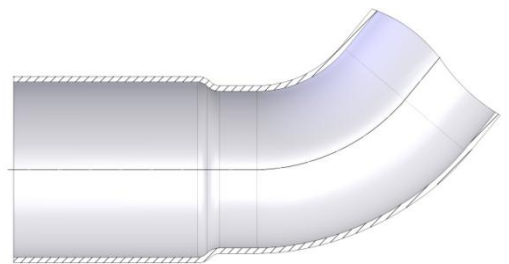
down sizing



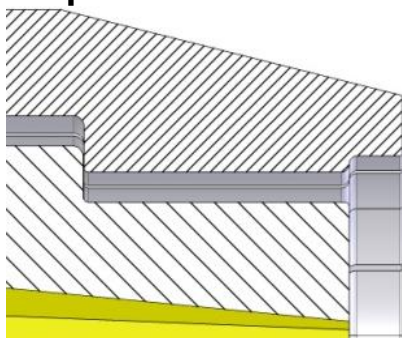
Shape B



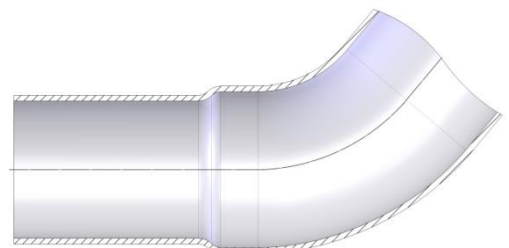
up sizing near the bent



Shape C



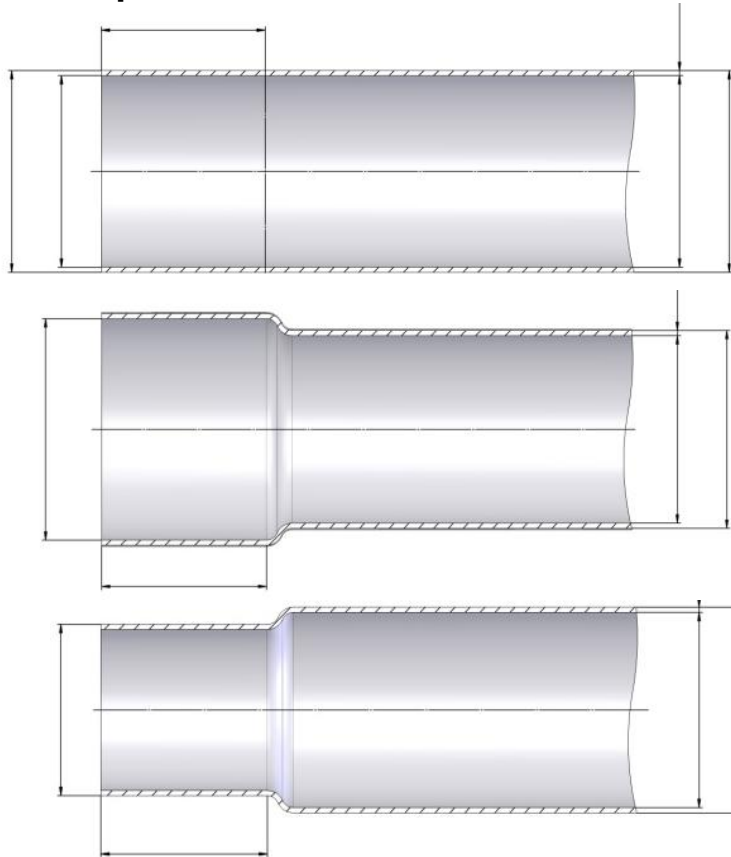
down sizing near the bent



Please write in your requirements:

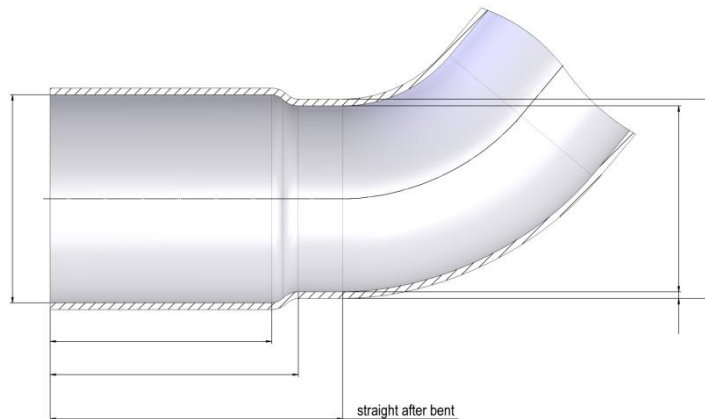
Shape A

tube dimension



Shape B

tube dimension



Shape C

tube dimension

